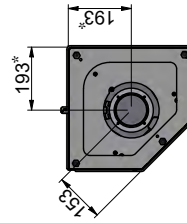
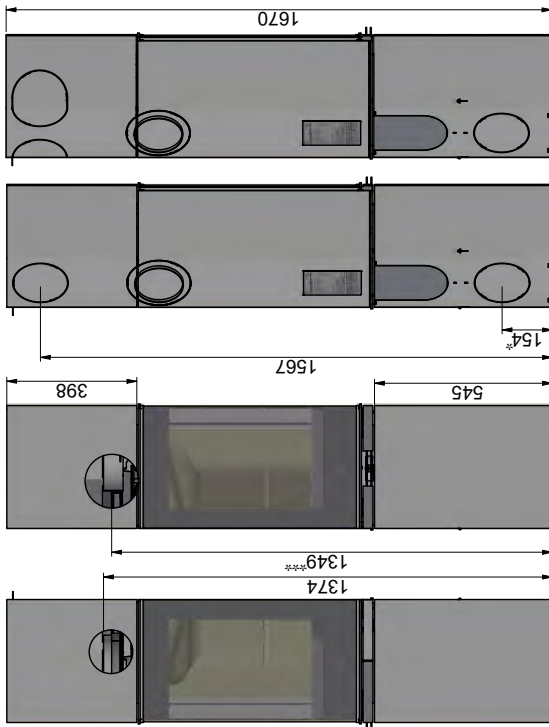


DIMENSION SKETCH AND MINIMUM DISTANCES

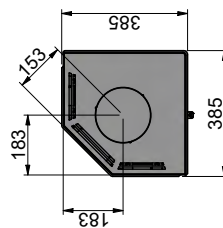
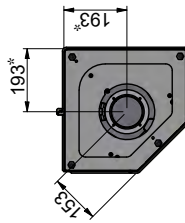
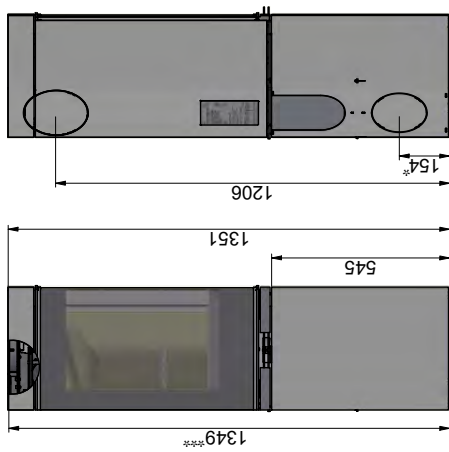
Flammable ceiling



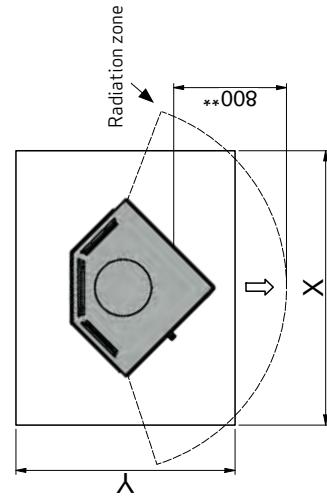
Scan 80-3 and Scan 80-4



Scan 80-1 and Scan 80-2



Floor plate



X / Y according to national laws and regulations



All distances are in mm.  
 All distances are minimum distances  
 \* Connection of fresh-air intake - external diameter Ø 100 mm  
 \*\* Min. distance to furniture/flammable material  
 \*\*\* Height to the beginning of flue connecting piece at top outlet